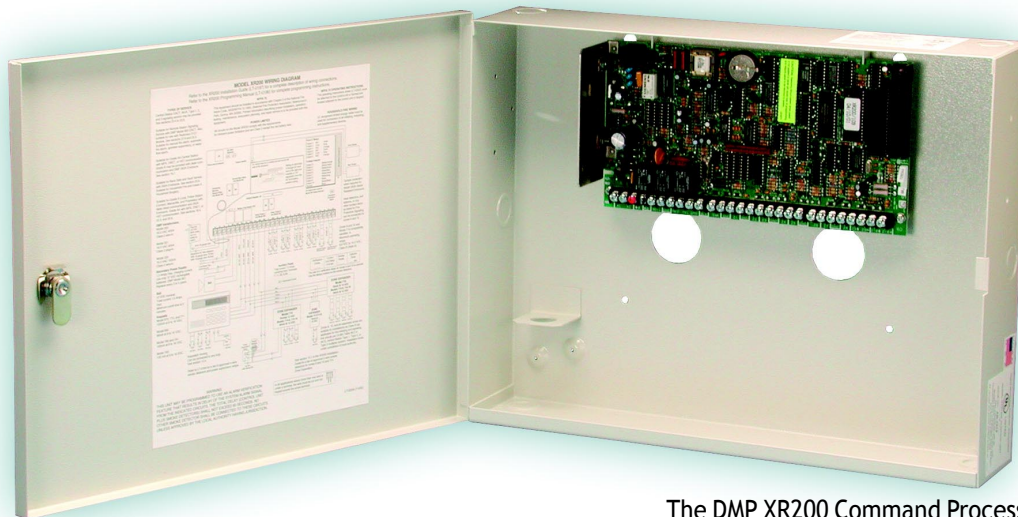


SPEC SHEET



AA HIGHWAY
SECURITY
COMMERCIAL
FIRE LISTED
**INTERNET
MONITORING!**

NYC
MEA



The DMP XR200 Command Processor™ Panel provides dealers and end-users with the industry's most impressive array of alarm system features found in any one panel. The combination of capability, sophistication, and simple operation makes this panel the obvious choice for all your burglary, fire, and access control applications.

XR200 — 242-ZONE COMMAND PROCESSOR™ PANEL

SYSTEM FEATURES

- UL Listed for Internet Monitoring
- Four independent partitions
- 20 individual reporting areas
- Up to 242 fully programmable zones
- Up to 242 graphic annunciator outputs
- Up to 202 programmable Form C relays
- 200 user codes with nine authority levels
- Pager Direct™ paging
- Supports Easy Entry™ access control keypads
- Temporary user codes
- One ambush code for each partition
- Built-in programming from any keypad
- Program from your laptop with a 462N Interface Card
- Cross-zoning between any zones in a partition
- One or more common areas in each partition
- Permanent, temporary, and up to 50 output schedules
- AA data network, digital dialer, or multiplex reporting to UL listed DMP SCS-1 Security Receiver
- Hardwire, 900MHz, and 300MHz wireless zone capability
- Swinger bypass option on all zones
- Up to 234 two-wire smoke detector zones
- Area, All/Perimeter, or Home/Sleep/Away arming
- Eight supervised keypad addresses with 32 zones
- 4-wire keypad and zone expander connections
- 200-event history display from keypad
- Alternate-reporting to two SCS-1 Receivers
- Secure-Com™ Cellular with Cell-Miser™
- Contact ID and Modem IIe reporting to non-DMP receivers
- 1.5 Amps bell output
- 1 Amp auxiliary output
- Inherent power limited circuits
- Automatic or deferred test reports



Digital Monitoring Products

COMMUNICATION

The XR200 is unmatched in its communication capability with its digital dialer, multiplex, cellular, data network communication over bank data, long-range radio networks, and the Internet. Also, the XR200 can report to one or two DMP receivers. DMP Serial 3 SDLC format supports 16-character user, zone, and area names to increase the central station's response time and limit their dependence on a computer database for message conversion.

You can also choose Modem IIe and Contact ID reporting to non-DMP receivers to meet a range of installation and monitoring requirements.

EXPANDED HOST OPTIONS

The XR200 features enhanced host options that provide host backup, customizable check-in times, retry times, and much more. By enabling the host backup, the panel can send messages via a second 462N card or a second network device, such as an iCOM™ Internet Alarm Router.

DIGITAL DIALER/MULTIPLEX

The XR200 panel sends alarm and system reports to the central station using the super fast SDLC communication format. SDLC has an average on-line time of 5.6 seconds, which complies with the 6-second minimum time requirement for long distance savings plans.

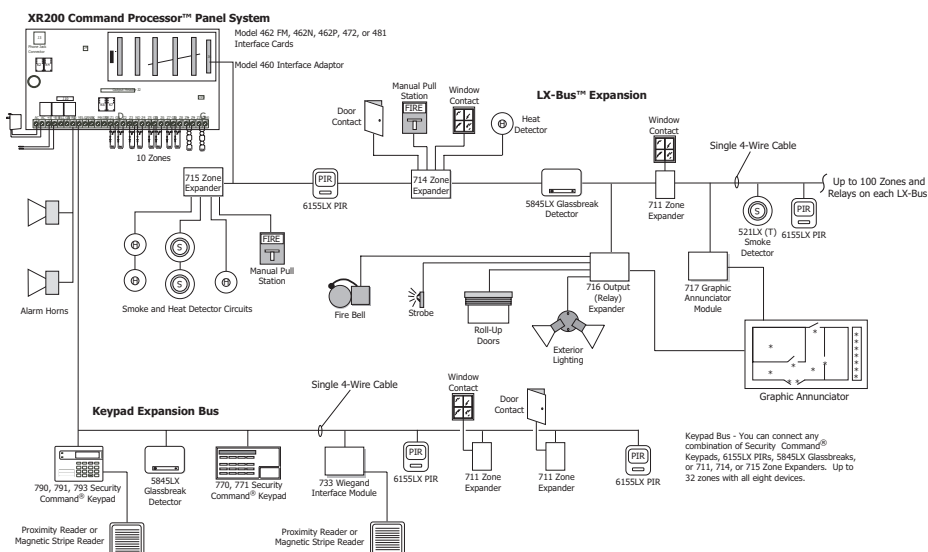
The XR200 panel's multiplex capability allows you to meet requirements for installations where UL AA multiplex communication is either required or a viable option.

SECURE-COM™ AND CELL-MISER™

The XR200 also allows you to use the DMP Secure-Com™ cellular phone system for primary or backup communication of alarm and system events to the central station. Additionally, the program option Cell-Miser™ allows the panel to restrict calls to alarm, trouble, abort, recall test, and delayed event reports over the Secure-Com cellular system.

PAGER DIRECT™ PAGING

The XR200 can send alarm, trouble, opening, closing, or late to close reports directly to a user's pager. Pager Direct™ is a significantly important feature for working parents wanting to confirm their children's safe arrival home from school.



TRUE AREAS

The XR200 contains 20 completely independent programmable areas with separate account numbers, auto arming and disarming, armed output relays, schedules, opening/closing reports, and common area operation.

AREA PARTITIONING

The 20 areas on the XR200 are grouped into four partitions. Each partition can operate as a separate system which is very useful in strip malls and apartments.

AREA, ALL/PERIMETER, AND HOME/SLEEP/AWAY ARMING

The XR200 also allows you to program each partition for the following operating modes: In area mode, each area has a separate name and account number. All/Perimeter provides one perimeter and one interior area. Home/Sleep/Away provides an interior area, exterior area, and a bedroom area that can be left off during sleeping hours.

COMMON AREAS

One or more areas can be designated as common areas. These areas automatically arm when the last regular area in the partition is armed and disarm when the first regular area is disarmed. This is ideal for lobbies or areas where users need common access to specific areas only.

ZONE EXPANSION

The XR200 provides up to 242 zones that are programmable for a variety of burglary and fire applications. The panel contains 8 burglary zones and 2 Class B 12 VDC powered zones. Up to 32 zones are available on the 8 keypad addresses and up to 200 zones can be added using Interface Cards. The interface cards plug directly into the panel or into a Model 460 Interface Adaptor Board that provides 5 expansion interface card slots.

OPTIONAL INTERFACE CARDS

462P Printer Card allows you to connect a serial printer and provide real-time 80-character printout of system events.

462N Network Card allows you to connect the XR200 panel to a computer data network or long-range radio network for extremely fast communication, or to a computer for local programming with Remote Link.

462FM 9600 Baud Modem Card enhances the panel's internal modem to 9600 Baud.

472 Inovonics 900MHz Card supports up to 200 wireless zones including 900 MHz transmitters.

481 LX-Bus Card provides one LX-Bus™ circuit for up to 100 expansion zones.

485 Access Control Expansion Card increases memory capacity to 1000 users, 1200 events and 16 door access locations. Access control features include holiday schedules, anti-passback operation and shift schedules. **Note:** The 485 Card does not supply an LX-Bus connection.

460 Interface Card Adaptor provides five slots for the installation of up to five Interface Cards.

WIRELESS ZONES

Using a 472 Inovonics 900MHz Interface Card and an FA400-DMP Receiver you can add up to 200 zones of 900MHz spread spectrum wireless to the XR200 system.

The FA426 Remote Wireless Receiver also allows up to 16 points of Inovonics 900MHz wireless transmitters on the system. This module connects to the keypad bus and is programmed using an Inovonics FA116 Executive Programmer.

The 738A Ademco Wireless Expansion Module allows you to add up to 32 supervised zones of Ademco wireless devices to your system. Easily program from any DMP alphanumeric keypad.

CROSS ZONING

This powerful feature allows multiple zones to be cross-zoned and report alarms only when two or more are tripped within a programmable time. If only one zone trips, a fault report is sent to the central station.

SCHEDULES

The XR200 provides you with flexibility in system operation by offering the following three types of programmable schedules:

PRIMARY AND SECONDARY SCHEDULES

These schedules are for such applications as late to close annunciation and auto arming. You can also program primary and secondary schedules to track users with 1 and 2 authority levels who arm and disarm the system outside of their allowed times.

PERMANENT AND TEMPORARY SCHEDULES

Permanent schedules are similar to primary and secondary and are intended for regular use. Temporary schedules allow restricted access to trade or delivery people after business hours.

OUTPUT SCHEDULES

Output (relay) schedules allow you to automatically turn on or off any of the panel's relay or powered outputs. This feature allows you to control temperature sensors, exterior lighting, or any contact-activated device.

200 USER CODES

You can assign up to 200 custom user codes in the XR200 panel. Customizing user codes allows you to select the system functions and keypad displays each user can access. You can select standard authority level that provides 9 fixed levels of access.

The first user code in each partition can also be programmed as an ambush code that sends a silent alarm when entered at a keypad.

200 EVENT MEMORY

The XR200 stores up to 200 user and system events you can view or print at any time through the keypad User Menu. The Display Events feature allows you to view stored openings and closings, zone events, user code and schedule changes, door accesses, and supervisory events.

EVENTS MANAGER

You can also save up to 66% of your monitoring costs with the XR200 panel by using its Events Manager option. This feature allows the panel to buffer specific system reports and automatically download them to the receiver when the available memory is full or keep them in memory until you download them with Remote Link™.

OUTPUTS

The XR200 can provide two SPDT relay outputs and eight 12 VDC 50mA powered outputs with an optional plug-in relay and a 430 Wire Harness connected to the panel. Each relay is rated at 1 Amp at 30 VDC or 500mA at 120 VAC.

BUILT-IN PROGRAMMER AND DIAGNOSTICS

The XR200 contains its programmer on-board and does not require an external programmer. This allows installers and service technicians to program the panel and run the panel's system diagnostics program from any keypad.

SECURITY COMMAND® KEYPAD

You can connect any DMP Security Command keypad to the XR200 panel. Each keypad has large function keys for entering information and a fluorescent blue or LCD display that allows users to view system events in almost all lighting conditions.

EASY ENTRY™ KEYPADS

For low cost access control, DMP has developed the Easy Entry™ access system that allows you to connect the 793 keypads with built-in proximity readers. You can also connect external proximity and magnetic stripe access readers to a 791 or 793 Easy Entry keypad.

CODELESS ARMING AND DISARMING

Users can now enjoy codeless arming and disarming of systems using Easy Entry, yet still have individual activity with their user number logged into the panel's event memory. With codeless access and arming/disarming, users are not forced to remember a user code, they simply present an access credential, such as a proximity card.

SOFT SHUNT™

To provide an entry and exit window on systems with 24-hour perimeter protection, DMP has developed the Soft Shunt™ feature that can shunt zone two on the keypad for 40 seconds while the user enters or leaves the building.

REQUEST TO EXIT

This feature allows you to automatically release a door strike or magnetic lock with the 791 and 793 Easy Entry keypads, and the 733 Wiegand interface module by connecting a motion sensing or mechanical device to zone three. As the user trips the zone, the keypad activates its door strike relay allowing the user to exit the protected area without having to present a card to the access control reader.

FOUR PROGRAMMABLE ENTRY DELAY TIMES

Delay zones on the XR200 can be assigned any of the four programmable entry delays. You can program these entry times for 1 to 250 seconds in 1-second increments.



SECURITY COMMAND KEYPADS

- ePAD™ Virtual Keypad
- 630F LCD Remote Fire Command
- 690 LCD 32-char. Keypad
- 690F LCD Fire Command 32-char.
- 740 4-zone LED Sub-Control Keypad
- 741 4-zone LED with internal relay
- 743 4-zone LED with internal relay, prox
- 770 4-zone VFD Security Command
- 771 4-zone VFD Security Command, relay
- 790 4-zone LCD Security Command
- 790F 4-zone LCD Fire Command Keypad
- 791 4-zone LCD with internal relay
- 793 4-zone LCD with internal relay, prox

EXPANSION MODULES

- 708 Bus Extender Module
- 710 Bus Splitter/Repeater
- 710F Fire Bus Splitter/Repeater, 24 VDC
- 711/E Single Zone Expansion Module
- 714 4-zone Class-B Expansion Module
- 714-8 8-zone Class-B Expansion Module
- 714-16 16-zone Class-B Expansion Module
- 715 4 zones for 2-wire smokes
- 715-8 8 zones for 2-wire smokes
- 715-16 16 zones for 2-wire smokes
- 716 Output Expansion Module
- 717 Graphic Annunciator: 20 outputs
- 725 24 VDC 4-zone Expansion Module
- 736P Radionics Interface Module
- 738A Ademco Interface Module

INTERFACE CARDS

- 460 Interface Adaptor Card
- 462FM 9600 Baud Modem
- 462N Network Interface Card
- 462P Printer Interface Card
- 472 Inovonics 900MHz Interface Card
- 481 Expansion Interface Card

AUXILIARY MODULES

- 865 Style Y/Z Notification Circuit Module
- 866 Style W Notification Circuit Module
- 867 LX-Bus Notification Circuit Module
- 869 Style D Initiating Circuit Module
- 893/A Dual Phone Line Module
- 895 Voice Module

12 VDC NOTIFICATION APPLIANCES

- 801 Mini Horn
- 802 Multi-Tone Horn
- 803 Standard Horn
- 806 6-inch or 10-inch Motor Bell
- 821 Strobe
- 822 Strobe with Retrofit Plate
- 823 Horn Strobe
- 831 Single Circuit Sync Module
- 832 Dual Circuit Sync Module

24 VDC NOTIFICATION APPLIANCES

- 802WP-75W Weatherproof Horn Strobe
- 901 Mini Horn
- 904 Horn
- 904WP Weatherproof Horn
- 906-6 6-inch or 10-inch Motor Bell
- 921 Series Ceiling Mount Strobes
- 921WP-75W Weatherproof Strobe
- 920 Series Multi-Candela Strobes/Horns
- 924WP-75W Weatherproof Audible Strobe

POWER SUPPLIES

- 502-12 Provides 2 Amps @ 12 VDC
- 502-80 80-hour Standby Charger
- 504-24/LX Provides 4 Amps @ 24 VDC
- 505-12/LX Provides 5 Amps @ 12 VDC
- 508 8 Amps @ 12 or 24 VDC

PULL STATIONS

- 850S Manual Pull Station, Single Action
- 850D Manual Pull Station, Dual Action
- 850S/711 Pull Station, Single Action, 1 zone
- 850D/711 Pull Station, Dual Action, 1 zone

SMOKE/HEAT DETECTORS

- SLR-835B Photoelectric Smoke
- 521B/BXT Addressable Smoke, CleanMe
- 521LX/LXT Smoke/Heat, CleanMe, 1 zone
- 600 Series Heat Detectors

INTRUSION DETECTORS

- Sentrol® Contacts, Panics, Glassbreaks & PIRs
- Optex PIRs
- Potter Vibration Sensor, Contacts, Hold-Up Buttons & Sound Alarm Systems
- Tane Contacts and Water Sensors

ACCESS CONTROL

- 485 Access Control Expansion Card
- 485B Access Control Expansion Card with Bank Features
- 733 Wiegand Interface Module
- HID Proximity Readers and Credentials
- VP-6100 VeriProx Fingerprint/Prox Reader
- VP-6200 V-Pass Fingerprint Reader

WIRELESS PRODUCTS

- FA400-DMP 200-point 900MHz Receiver
- FA426 16-point 900MHz Receiver
- Inovonics Wireless Transmitters

COMMUNICATION DEVICES

- iCOM™ Internet Alarm Router
- Secure-Com™ Cellular System

ACCESSORIES

- 322 56 VA Wire-in Transformer
- 323 100 VA Wire-in Transformer

CENTRAL STATION RECEIVERS

- SCS-1 Security Control Receiver
- SCS-101 Network Interface Card
- SCS-105 Single-Line SDLC Receiver

COMPUTER SOFTWARE

- Remote Link Programming Software
- System Link End-User Software
- Alarm Monitoring Module
- Command Center Module
- Advanced Reporting Module

SPECIFICATIONS

- Primary Power 16.5 VAC 40 VA transformer (Model 320)
- Secondary Power 12 VDC 7.0 Ah battery (Model 367)
- Auxiliary Output 1 Amp at 12 VDC
- Alarm Output 1.5 Amps at 12 VDC
- Smoke Output 100mA at 12 VDC
- 349 Dimensions (XR200M) 12.5" x 11.5" x 3.5"
- 350 Dimensions (XR200L) 17.5" x 13.5" x 3.5"
- Enclosures 20-gauge cold-rolled steel
- Enclosure Colors Gray or Red

LISTINGS AND APPROVALS

- Underwriters Laboratories - S3598
 - UL 864 Fire Protective Signaling
 - UL 609 Local Burglar
 - UL 365 Police Connected Burglar
 - UL 1635 Digital Burglar
 - UL 985 Household Fire Warning
 - UL 1076 Proprietary Burglar
 - UL 1610 Central Station Burglar
 - UL 1023 Household Burglar
- California State Fire Marshal - 7165-1157:105
- New York City MEA - 168-93-E Vol. 3
- Factory Mutual - 0D9A1.AY



800-641-4282

www.dmp.com

Made in the USA

INTRUSION • FIRE • ACCESS • NETWORKS

2500 North Partnership Boulevard

Springfield, Missouri 65803-8877